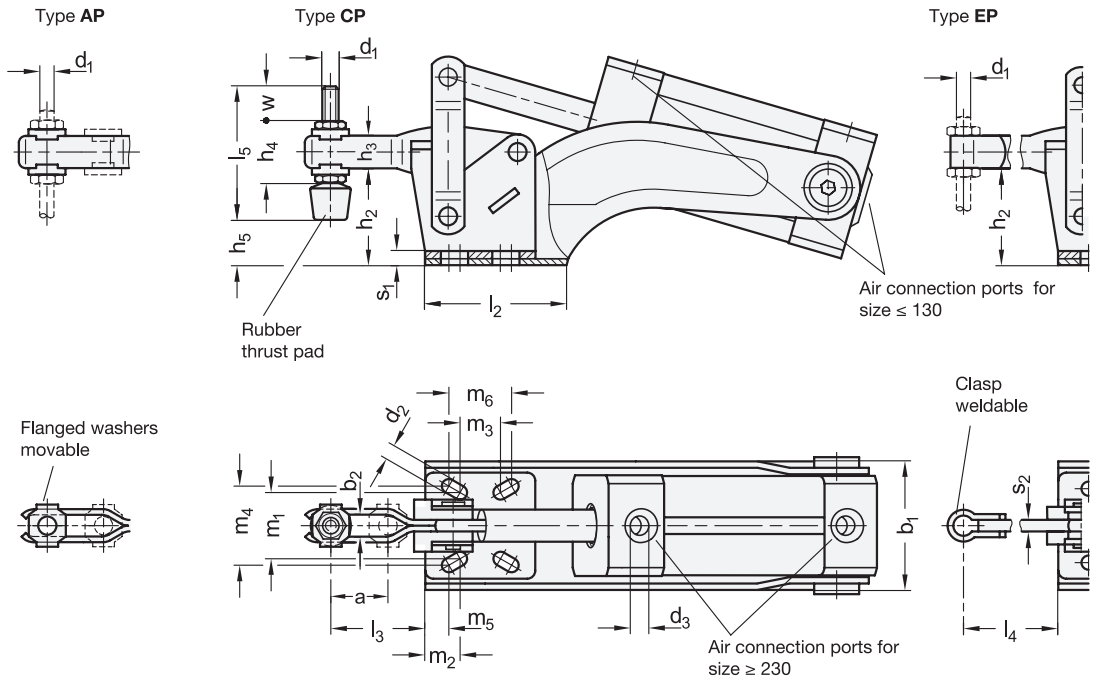


- 2 Type**
- AP** Forked clamping arm, with two flanged washers
 - CP** Forked clamping arm, with two flanged washers and clamping screw GN 708.1
 - EP** Solid clamping arm, with clasp for welding
- 3 Coding**
- M** Magnetic piston

1

Size	F _H in N Holding capacity	F _S in N Clamping force at 6 bar ≈	a ≈	b ₁	b ₂	d ₁	d ₂	d ₃ Compressed air connections	Inside Ø Connection tube	h ₁	h ₂	h ₃	h ₄	h ₅
75	700	380	20	40	5,2	M 5	4,5	M 5	4	54	22	11	19	7,3
130	1600	800	28	47,5	6,2	M 6	5,6	G 1/8	4	66	30	16	25,5	13,5
230	2200	1200	40	52	8,2	M 8	6,7	G 1/8	4	78	36	18	30	12,5
330	2500	1750	45	74	10,5	M 10	8,6	G 1/4	6	96	46	22	37	18
430	4000	3200	48	73	12,5	M 12	8,5	G 1/4	8	115	55	26	43	22,5

Size	l ₁ ≈ Type AP Type CP	Type EP	l ₂ ≈	l ₃ ≈	l ₄ ≈ max.	l ₅	m ₁	m ₂	m ₃	m ₄	m ₅	m ₆	r ≈ Type AP Type CP	Type EP	s ₁	s ₂	w Adjustable range
75	162,5	163	40	32	42	45	24	7	14,5	24	6,5	16,5	62,5	63	4	4	15
130	195	196	45	42	54	55	27	11,2	12,5	29	8	19	79	80	5	5	17,5
230	259	260	55	57,5	75	68	32	12	18,5	32	11,5	20,5	104	105	6	6	20
330	308	310	64	67	85	77	46	10,5	29	45	9	32	121	123	7	7	19
430	364	365	78	73	98	100	45	14	32	45	14	32	140	141	8	10	33



Specification

- Sheet metal parts
Case-hardened steel C10
Zinc plated, blue passivated
- Bearing pins hardened
- Bearing rivets
Case-hardened
- Air cylinder bearing pins
Case-hardened
- Double-action air cylinder
Max. pressure 6 bar
- All moving parts
Lubricated with special grease
- Clamping screw GN 708.1, type A
- Steel, zinc plated, blue passivated
- Rubber thrust pad 85 Shore A
- RoHS

Accessory

- Clamping Screws → Page 810 ff.
- Holders for Clamping Screws GN 801
(for Type AP) → Page 815
- Holders for Clamping Screws GN 809
(for Type EP) → Page 818
- Sensor GN 3380 → Page 850

Information

The clamping principle of toggle clamps GN 860 is identical in construction and dimensions to the manually operated vertical toggle clamps GN 810.

To ensure an extended life of the mechanical parts as well as the air cylinders, the operating pressure should not exceed 6 bar and a compressed air maintenance unit should be installed upstream.

Toggle clamps GN 860 have a permanent magnet integrated into the piston. In conjunction with sensors GN 3380, it is possible to detect the end position, such as for implementing machine controls.

see also...

- [More Information to Toggle Clamps \(Pneumatic\)](#) → Page 790

How to order



GN 860-330-AP-M

1	Size
2	Type
3	Coding

